

# Thick film thermal printhead (with thermal historical control)

## KD2004-DC70A

DC70 series has our own internally developed heat-history control function.

This product is best suited for applications which require 24 hours operation like factory production lines.

### ●Applications

High speed label printer

High speed bar code printer

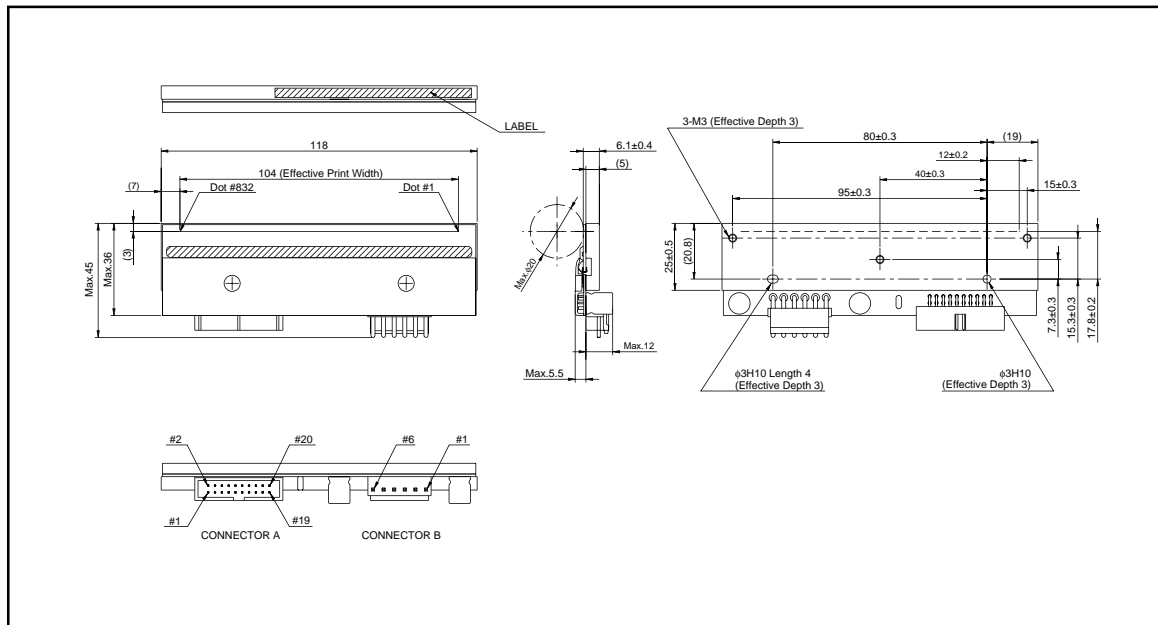
High speed ticket printer

Various high speed terminal printers

### ●Features

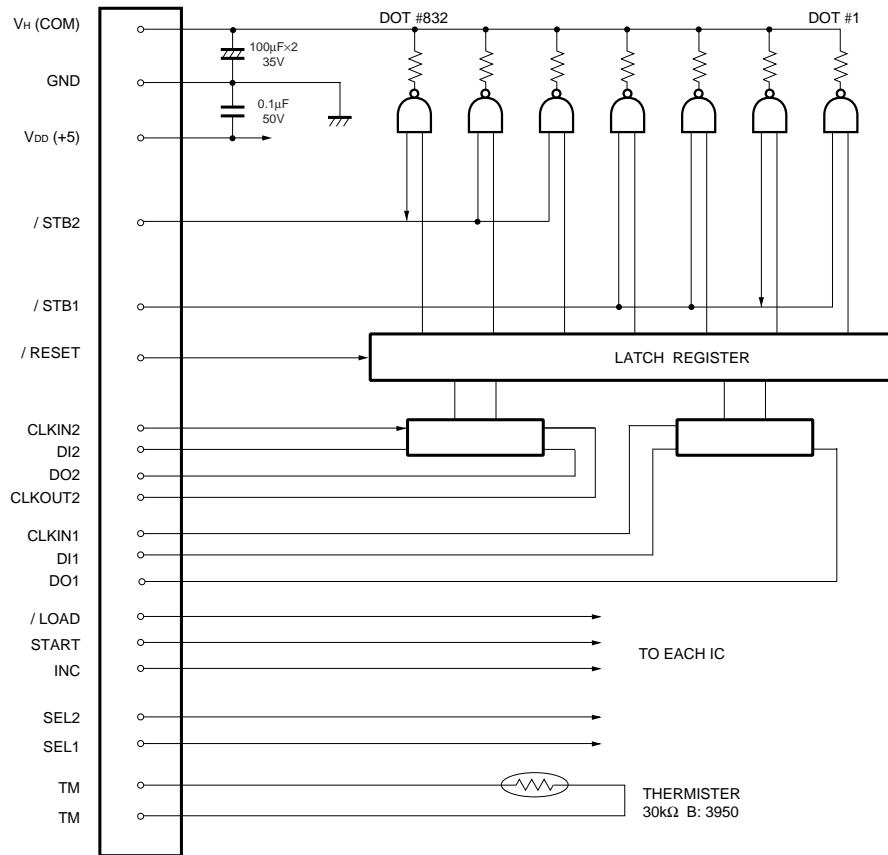
- 1) Newly developed thick-film fast response thermal element and driver LSI with the function of thermal history control which is added the future history control are employed for this series. It is possible to print with super high speed of 10 inches / s or 250mm / s.
- 2) 150km life realized by attributing durable new protection film.
- 3) New partial glaze construction makes it compatible with the thermal transfer application.

### ●External dimensions (Unit : mm)



Printheads

●Equivalent circuit



DI No.	DOT No.
DI2	832 ~ 449
DI1	448 ~ 1

/ STB No.	DOT No.
/ STB2	832 ~ 449
/ STB1	448 ~ 1

CLK No.	DOT No.
CLKIN2	832 ~ 449
CLKIN1	448 ~ 1

Printheads

●Pin assignments

CONNECTOR A

No.	Circuit	No.	Circuit
1	V <sub>DD</sub>	11	/ RESET
2	V <sub>DD</sub>	12	START
3	SEL2	13	DO1
4	SEL1	14	DO2
5	CLKIN2 (CP)	15	TM
6	NC	16	TM
7	DI2	17	/ STB2
8	DI1	18	/ STB1
9	INC	19	CLKOUT2
10	/ LOAD	20	CLKIN1

CONNECTOR B

No.	Circuit
1	V <sub>H</sub> (COM)
2	V <sub>H</sub> (COM)
3	V <sub>H</sub> (COM)
4	GND
5	GND
6	GND

●Characteristics

Parameter	Symbol	Typical	Unit
Effective printing width	–	104	mm
Dot pitch	–	0.125	mm
Total dot number	–	832	dots
Average resistance value	R <sub>ave</sub>	650	Ω
Applied voltage	V <sub>H</sub>	24	V
Applied power	P <sub>o</sub>	0.77	W/dot
Print cycle	SLT	0.490	ms
Maximum number of dots energized simultaneously	–	832	dots
Maximum clock frequency	–	8	MHz
Maximum roller diameter	–	φ20.0	mm
Running life / pulse life	–	150/(1×10 <sup>8</sup> )	km/pulses
Operating temperature	–	5 to 45	°C

●Data sheets

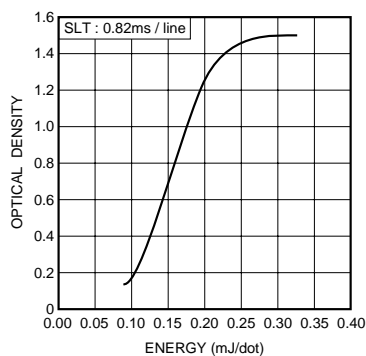


Fig.2 Representative density curve

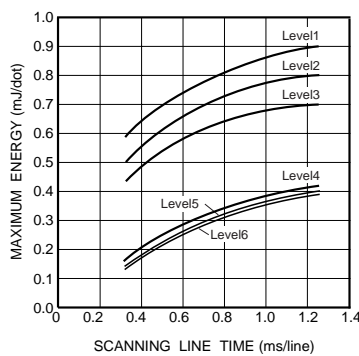


Fig.3 Maximum energy curve

### Notes

- No technical content pages of this document may be reproduced in any form or transmitted by any means without prior permission of ROHM CO.,LTD.
- The contents described herein are subject to change without notice. The specifications for the product described in this document are for reference only. Upon actual use, therefore, please request that specifications to be separately delivered.
- Application circuit diagrams and circuit constants contained herein are shown as examples of standard use and operation. Please pay careful attention to the peripheral conditions when designing circuits and deciding upon circuit constants in the set.
- Any data, including, but not limited to application circuit diagrams information, described herein are intended only as illustrations of such devices and not as the specifications for such devices. ROHM CO.,LTD. disclaims any warranty that any use of such devices shall be free from infringement of any third party's intellectual property rights or other proprietary rights, and further, assumes no liability of whatsoever nature in the event of any such infringement, or arising from or connected with or related to the use of such devices.
- Upon the sale of any such devices, other than for buyer's right to use such devices itself, resell or otherwise dispose of the same, no express or implied right or license to practice or commercially exploit any intellectual property rights or other proprietary rights owned or controlled by
- ROHM CO., LTD. is granted to any such buyer.
- Products listed in this document are no antiradiation design.

The products listed in this document are designed to be used with ordinary electronic equipment or devices (such as audio visual equipment, office-automation equipment, communications devices, electrical appliances and electronic toys).

Should you intend to use these products with equipment or devices which require an extremely high level of reliability and the malfunction of which would directly endanger human life (such as medical instruments, transportation equipment, aerospace machinery, nuclear-reactor controllers, fuel controllers and other safety devices), please be sure to consult with our sales representative in advance.

#### About Export Control Order in Japan

Products described herein are the objects of controlled goods in Annex 1 (Item 16) of Export Trade Control Order in Japan.

In case of export from Japan, please confirm if it applies to "objective" criteria or an "informed" (by MITI clause) on the basis of "catch all controls for Non-Proliferation of Weapons of Mass Destruction.