



# **Kestronics Ltd.**

*Developing innovative solutions*

[sales@kestronics.co.uk](mailto:sales@kestronics.co.uk)

- **Batteries for all kinds of Handheld Terminals, Printers and Barcode Readers**
- **Money Handling / Counterfeit Detectors**
- **Magnetic Card Readers / Writers**
- **Smart Card Readers / Writers**
- **Portable Swipe Card Readers**
- **Thermal Printheads**
- **Barcode Scanners / Readers**
- **OEM Barcode Modules**
- **Signature Pads**
- **Handheld Terminals / PDA**
- **Chip and Pin Terminals**
- **Mifare and RFID Readers / Writers**
- **POS Printers and Consumables**
- **Portable Printers and Consumables**
- **Label Printers and Consumables**
- **Kiosk Printers and Consumables**
- **Loyalty Card Printer and Consumables**
- **Plastic Card Printer and Consumables**
- **Industrial Keyboards / Trackball**
- **Visitor Management System**



Tel: +44 (0) 1727 812222  
Fax: +44 (0) 1727 811920

Url: [www.kestronics.co.uk](http://www.kestronics.co.uk)  
Buy Online: [www.kestronics.com](http://www.kestronics.com)

Kestronics Ltd.  
Unit 26 North Orbital Commercial Park  
Napsbury Lane  
St Albans  
AL1 1XB  
United Kingdom

# MiniMag™ Duo

Compact Dual-Headed MagStripe Swipe Reader

## Convenience and Compact Size

A unique dual-head design provides the most convenience to the user and ensures the data is captured on every swipe. It reads three tracks of magnetic stripe card data regardless of swiping direction and over a large speed range. The MiniMag™ Duo delivers exceptional performance in a compact 90mm solution.

## Full Functionality and Flexibility

Available in USB Keyboard and USB HID interfaces, the MiniMag™ Duo offers one of the smallest form factors for the industry. The MiniMag™ Duo is a strong fit for kiosk applications as well as POS, loyalty, and hospitality applications. The MiniMag™ Duo provides embedded metal threaded inserts in its base to allow the reader to be mounted.

## Configurability and Reliability

The MiniMag™ Duo is programmable so that the data format and intelligent interface output can be programmed and configured to match application and communication requirements. Data output format can be customized with ID TECH's Windows-based MagSwipe Configuration Utility. The MiniMag™ Duo ensures over one million card cycles and is one of the industries most reliable card readers.

## Features and Benefits:

- Dual-head design enhances usability and adds flexibility
- USB HID or USB Keyboard interface
- Reads up to three tracks of information, bi-directionally
- Compact size for use in many applications
- User-friendly configuration software utility
- Signifies successful reads with a beeper and LED indicator
- Can be used free-standing or mounted
- Reliable for a minimum of one million cycles



**IDTECH®**  
Value through Innovation

# MiniMag™ Duo Specifications IDMB-3XXXXX

## Electrical

Power Requirements: + 5 VDC from USB port  
40mA Max.  
Interfaces: USB Keyboard, USB HID  
Certifications: CE & FCC Class A

## Environmental

Operating Temperature: 0°C to 55°C (32°F to 131°F)  
Storage Temperature: -30°C to 70°C (-22°F to 158°F)  
Humidity: Maximum 95% non-condensing, dry storage

## Reliability

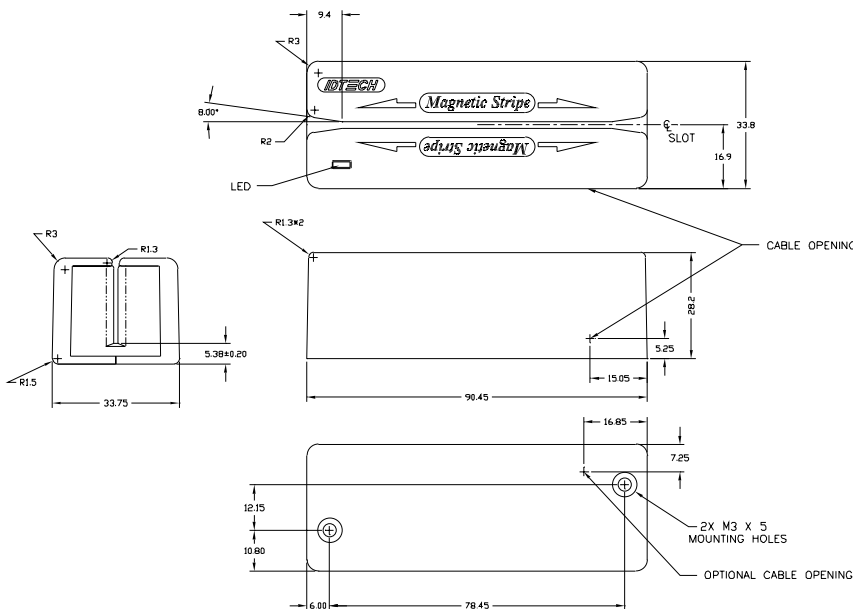
Operating Life: 1,000,000 cycles minimum  
Warranty: Two years, parts and labor

## Mechanical

Media Thickness: 0.005 inches (0.127mm) to 0.045 inches (1.14mm)  
Media Formats: ISO 7811, AAMVA, and other F2F formats  
Slot Width: 0.040 inches (1.37mm)  
Swipe Speed: 3 to 60 inches per second, bi-directional  
Dimensions(L)x(W)x(H): 3.54 inches (90mm) x 1.34 inches (34mm) x 1.10 inches (28mm)  
Weight: 4.6 oz.  
Indicators: Tri-colored LED and beeper  
Cable Length: 6-foot side exit cable (bottom exit is an option)  
Cable Connector: USB Type-A



## Foot Print:



# IDTECH®

Value through Innovation

### Corporate Headquarters:

10721 Walker Street, Cypress, California 90630  
www.idtechproducts.com  
(714) 761-6368 sales@idtechproducts.com

### International Sales Office

### Canada & South America:

+ 450 465 5261 (Canada) robertop@idtechproducts.com

### European Sales Offices:

+ 49(0) 8851 6159900 (Germany)  
emea@idtechproducts.com

ISO 9001 Certified